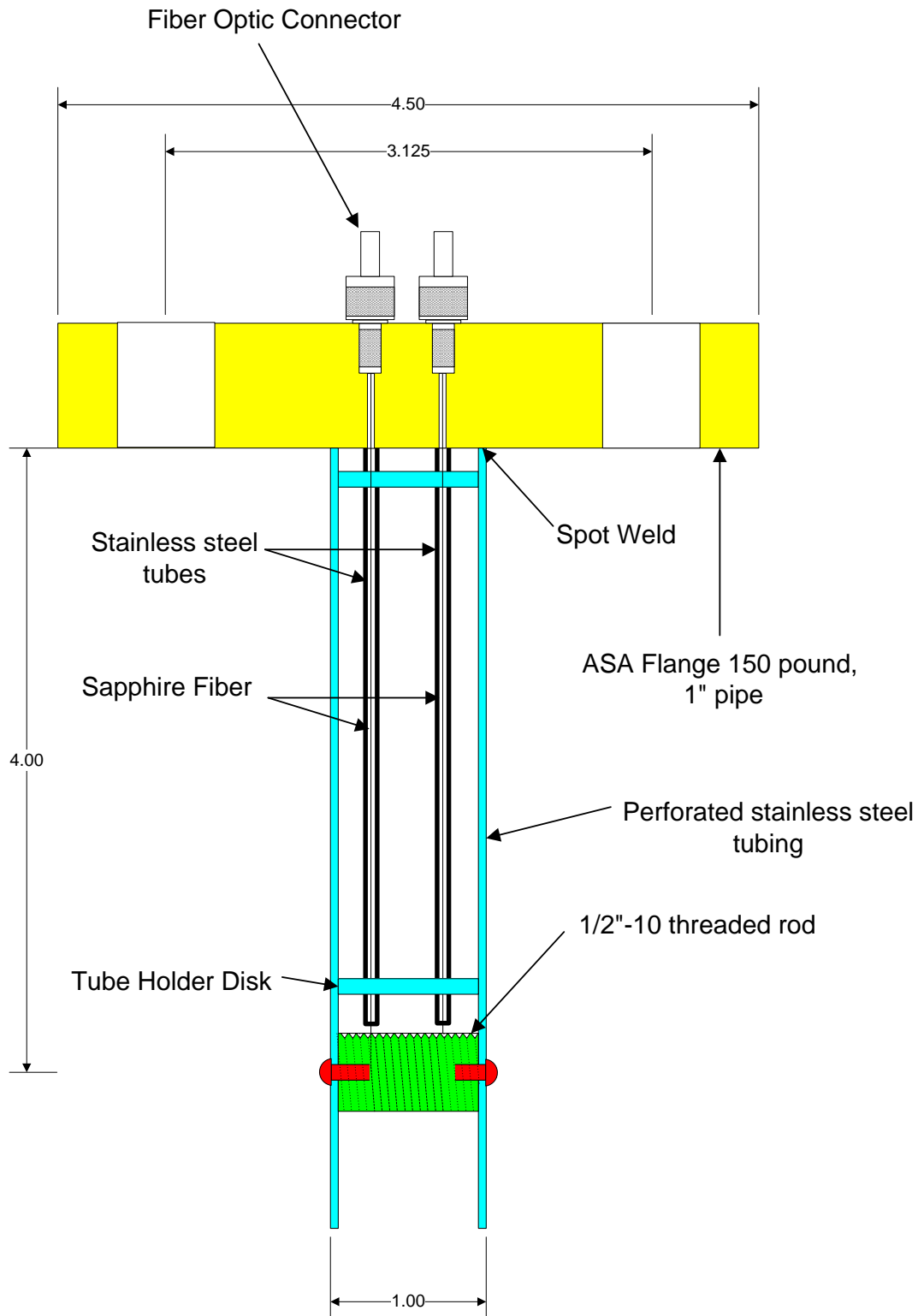


Fiber Chemical Sensor



Thoughtventions developed the fabrication procedure for making this commercial fiberoptic chemical sensor. The problem was to wind 10 turns of 100 micron diameter sapphire fiber around a mandrel and then pot the fibers in standard connectors reliably, without breaking the fiber.